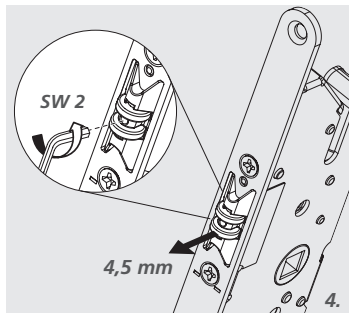
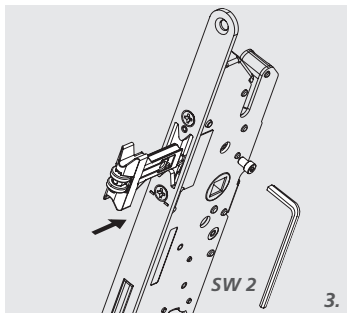
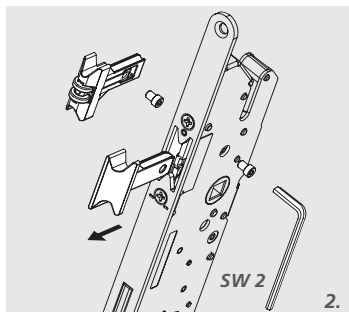
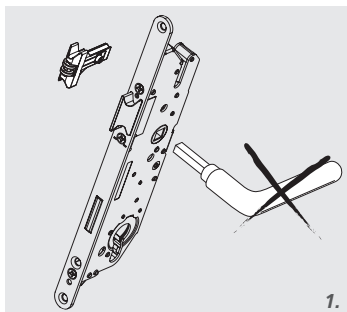


**GB** Exchanging and adjusting the roller latch

of multisafe 855GL and 803



**Please note:** Only to be used with pull handle. Roller latch is retracted via the transmission.  
 Technical details subject to change.

**CARL FUHR GmbH & Co. KG** Schlösser und Beschläge

Carl-Fuhr-Straße 12 D-42579 Heiligenhaus  
 Tel.: +49 2056 592-0 Fax: +49 2056 592-384  
 www.fuhr.de · info@fuhr.de

